

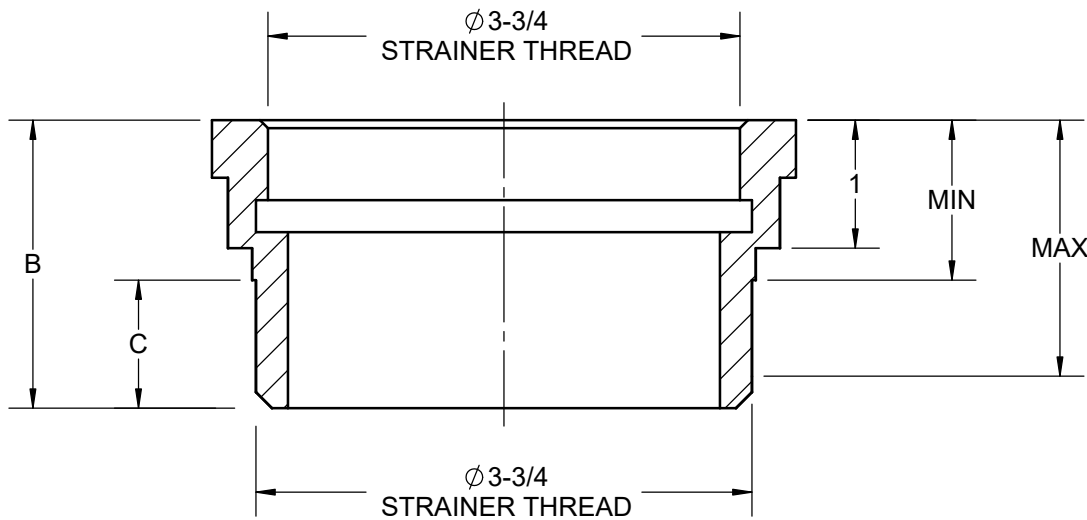
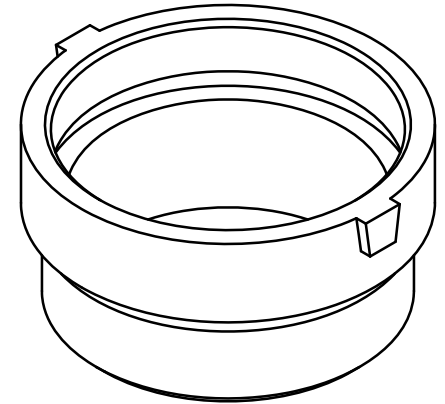
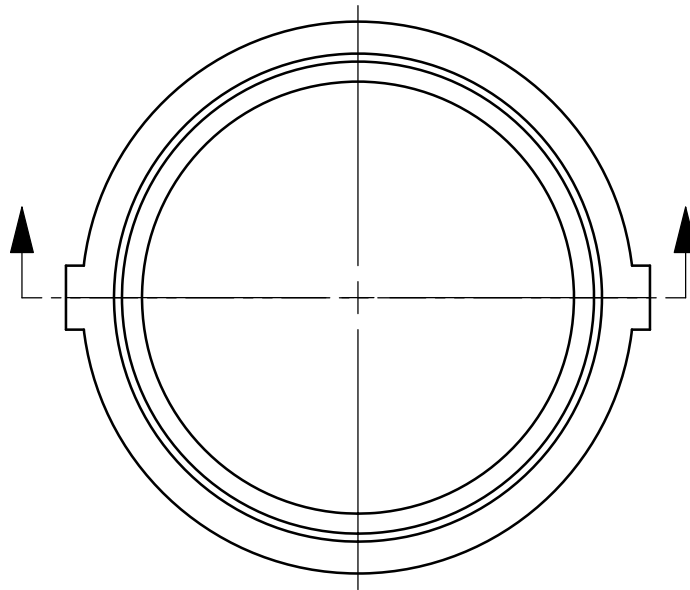
SPECIFICATION:

JOSAM "W" SERIES STRAINER EXTENSION, USED TO EXTEND AN ADJUSTABLE STRAINER TO BE RAISED TO ACCOMMODATE DEEPER FLOOR FILL.

**STRAINER EXTENSION
ADJUSTABLE STRAINER**

SERIES

W



PART NO.	DIM "B"	DIM "C"	MIN	MAX	LBS.
2W	2-1/4	1	1-1/4	2	1.55
4W	4-1/8	2-5/8	1-1/2	3-7/8	2.55
6W	6	4-5/8	1-3/8	5-3/4	3.75

-6 BRONZE

WARNING: Cancer and Reproductive Harm - www.P65Warnings.ca.gov

DATE OF LAST CHANGE: 07/10/18

DIMENSIONS ARE SUBJECT TO MANUFACTURERS TOLERANCES AND CHANGE WITHOUT NOTICE. WE CAN ASSUME NO RESPONSIBILITY FOR USE OF SUPERSEDED OR VOID DATA.

JOSAM

MICHIGAN CITY, INDIANA

NOTES