

SPECIFICATION:

JOSAM SERIES 41550-SO FABRICATED STAINLESS STEEL (TYPE 304), 10" SQUARE TOP, 10" DEEP, WITH NO-HUB SIDE OUTLET, ANCHOR TABS AND PERFORATED SS GRATE (STANDARD).

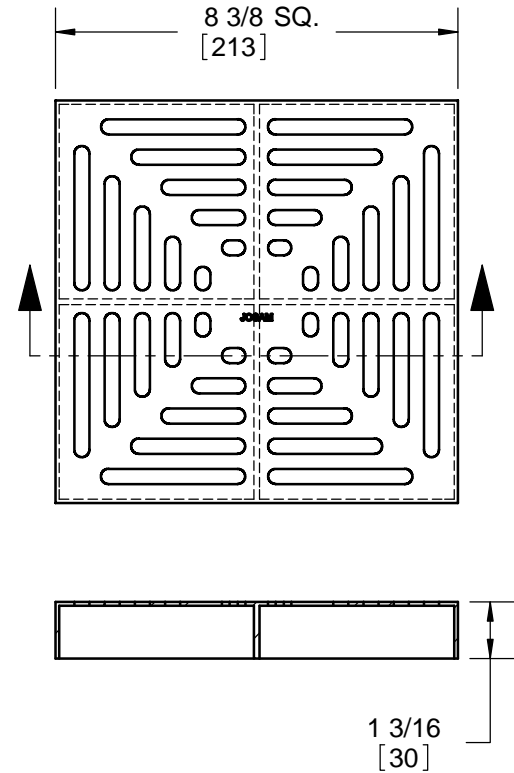
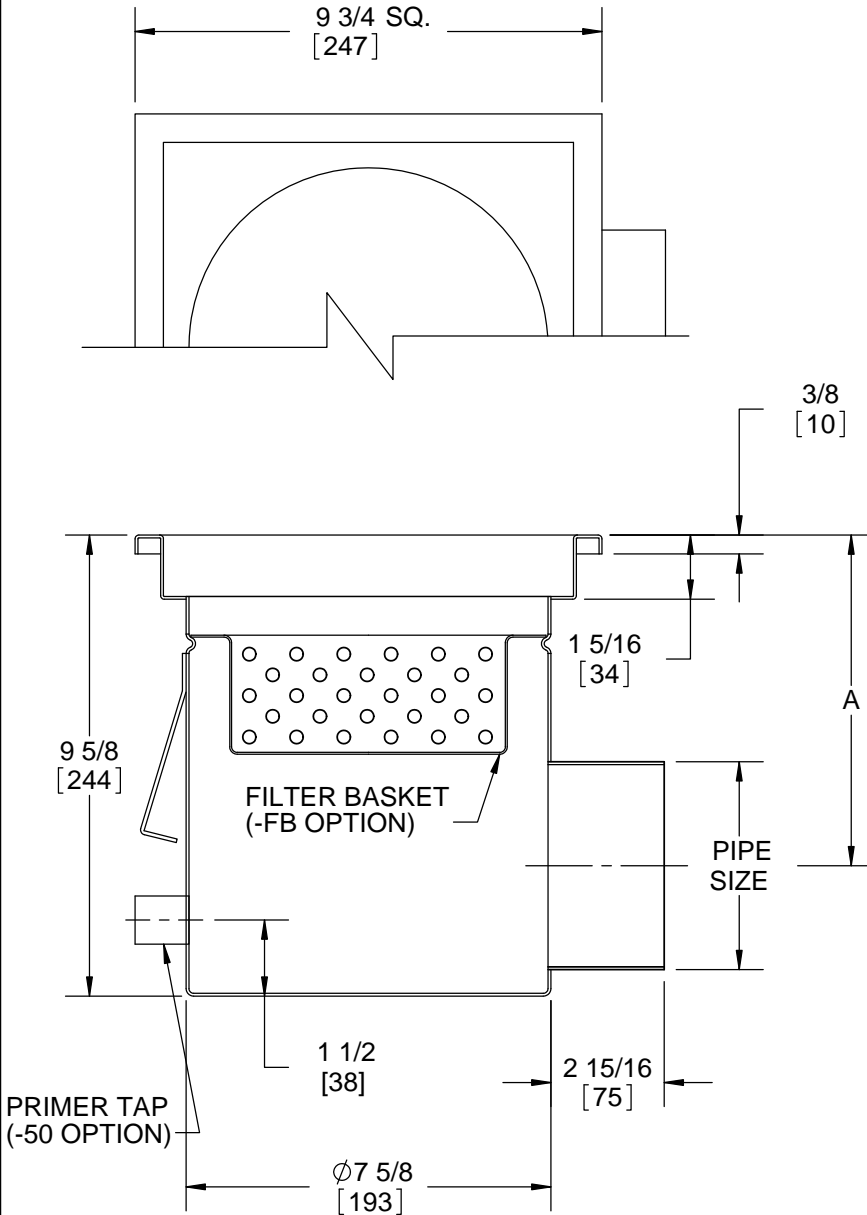
SS DRAIN

10" SQUARE TOP, 10" DEEP
SIDE OUTLET

SERIES **41550-SO**

STANDARD GRATE

FREE AREA = 20.2 IN²
MEETS ADA AND HEEL-PROOF REQS.



MODEL	PIPE SIZE	A
41552-SO	2"	7.9 [202]
41553-SO	3"	7.4 [188]
41554-SO	4"	6.9 [175]

OPTIONS:

	-FB	FILTER BASKET
	-SB	SEDIMENT BUCKET
	-VP	SECURED GRATE
X	-SO	SIDE OUTLET
	-50	1/2" PRIMER TAP
	-T	THREADED OUTLET
	-BW	BUTT-WELD OUTLET (SPEC. 10, 40, 80)

	-NG	NO GRATE
	-HG	PERF. HALF GRATE
	-3Q	PERF. 3/4 GRATE
	-MG	MESH, ANTI-SLIP GRATE
	-LG	LADDER GRATE
	-SG	PERIMETER SLOT GRATE
	-316	TYPE 316L MATERIAL

WARNING: Cancer and Reproductive Harm - www.P65Warnings.ca.gov

DATE OF LAST CHANGE: 7/16/18

DIMENSIONS ARE SUBJECT TO MANUFACTURERS TOLERANCES AND CHANGE WITHOUT NOTICE. WE CAN ASSUME NO RESPONSIBILITY FOR USE OF SUPERSEDED OR VOID DATA.

JOSAM

MICHIGAN CITY, INDIANA

NOTES