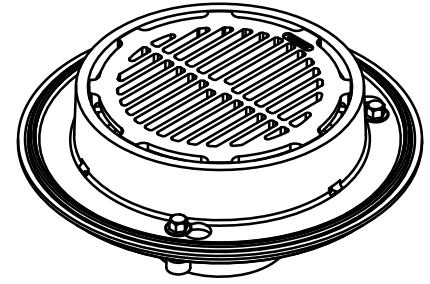
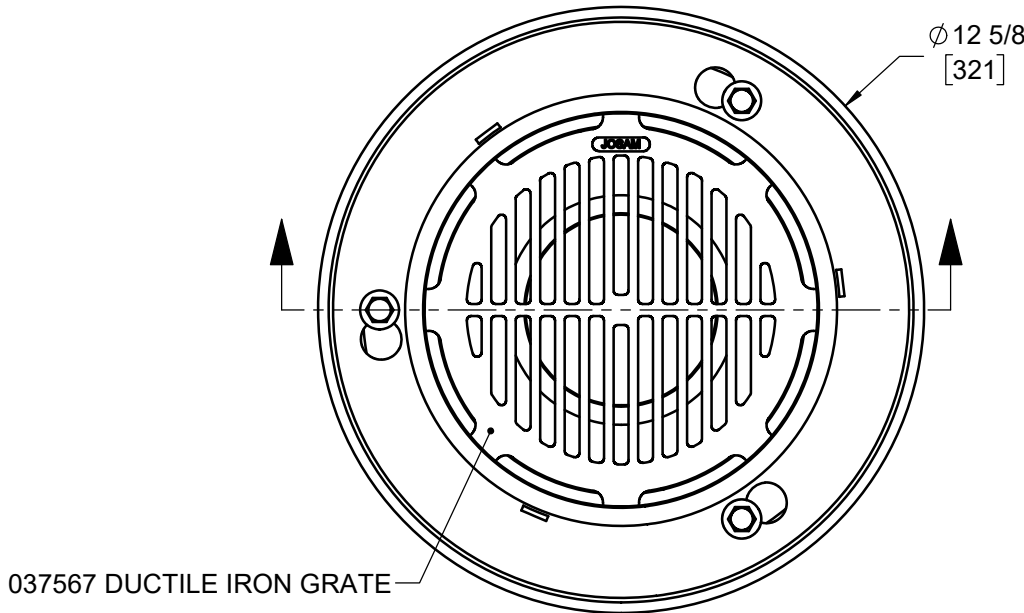


SPECIFICATION:

JOSAM 32100-HP-7 SERIES COATED CAST IRON FLOOR DRAIN, TWO-PIECE BODY WITH DOUBLE DRAINAGE FLANGE, WEJLOC® NON-PUNCTURING FLASHING COLLAR, WEEPHOLES, BOTTOM OUTLET, ROUND TOP, EXTRA HEAVY-DUTY LOOSE-SET ANTI-TILTING SUPER-FLO® HEELPROOF GRATE WITH PERIMETER DRAINAGE SLOTS.

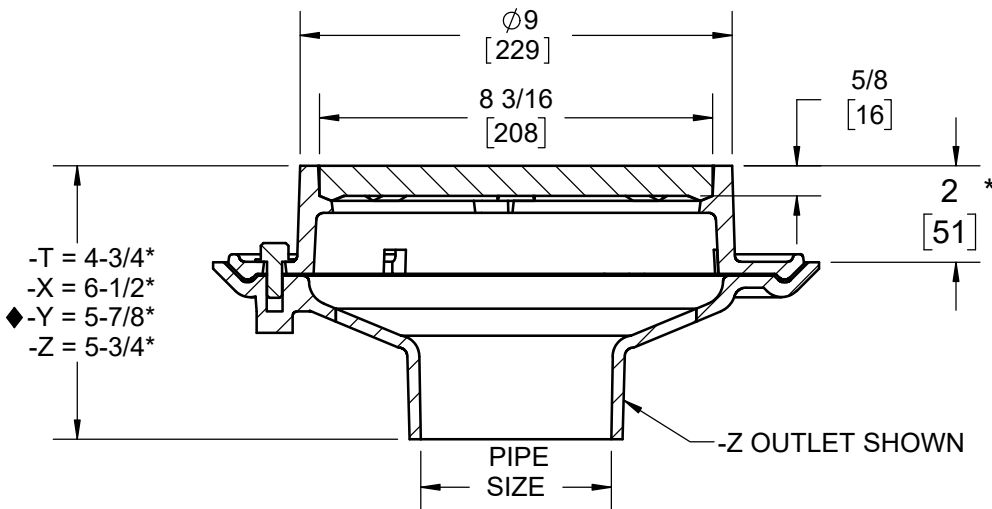
FLOOR DRAIN
9" ROUND TOP, SUPER-FLO®

SERIES **32100-HP-7**



◆ GASKET CONFORMS WITH ASTM-C564

*ADD 1/4" WHEN FURNISHED WITH NIKALOY OR BRONZE TOP (-1 OR -2)



	2"	PIPE SIZE		-39	SOLID CAST IRON COVER
	3"	PIPE SIZE		-VP	SECURED GRATE, VANDAL-PROOF SCREWS
	4"	PIPE SIZE		-ARE	ACID-RESISTING EPOXY
	-AE	LEVELEZE® ADJUSTABLE EXTENSION		-44	FIXED EXTENSION COLLAR, CAST IRON (SPEC. HT.) 2" STD.
	-81	SLOTTED CAST IRON BUCKET		-44-92	FIXED EXTENSION COLLAR, GALVANIZED (SPEC. HT.) 2" STD.
	-TG	TRACTOR GRATE		-49	3/4" PRIMER TAP
	-LC1	LOCKING COVER, SATIN FINISH NIKALOY		-50	1/2" PRIMER TAP
	-LC2	LOCKING COVER, SATIN FINISH BRONZE		-84	STAINLESS STEEL MESH BUCKET LINER
	-1	SATIN FINISH NIKALOY TOP		-88	SUPPLEMENTARY STRAINER
	-2	SATIN FINISH BRONZE TOP		-92	GALVANIZED CAST IRON PARTS
X	-7	DUCTILE IRON GRATE		-66	NO-HUB SIDE OUTLET
	-11	EXTRA-HEAVY DUTY GRATE, CAST IRON	X	-HP	HEEL-PROOF GRATE, CI, 5/16" SLOT WIDTH, 25 SQ IN FREE AREA
	-13	DOME GRATE, CAST IRON		-T	THREADED OUTLET
	-13-1	DOME GRATE, NIKALOY		-X	INSIDE CAULK OUTLET □
	-13-2	DOME GRATE, BRONZE		-Y	HUB OUTLET WITH GASKET
	-15	CHAINED GRATE		-Z	NO-HUB OUTLET

DATE OF LAST CHANGE: 07/23/18

DIMENSIONS ARE SUBJECT TO MANUFACTURERS TOLERANCES AND CHANGE WITHOUT NOTICE. WE CAN ASSUME NO RESPONSIBILITY FOR USE OF SUPERSEDED OR VOID DATA.



MICHIGAN CITY, INDIANA

NOTES

WARNING: Cancer and Reproductive Harm - www.P65Warnings.ca.gov