

SPECIFICATION:

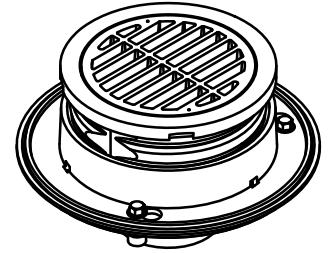
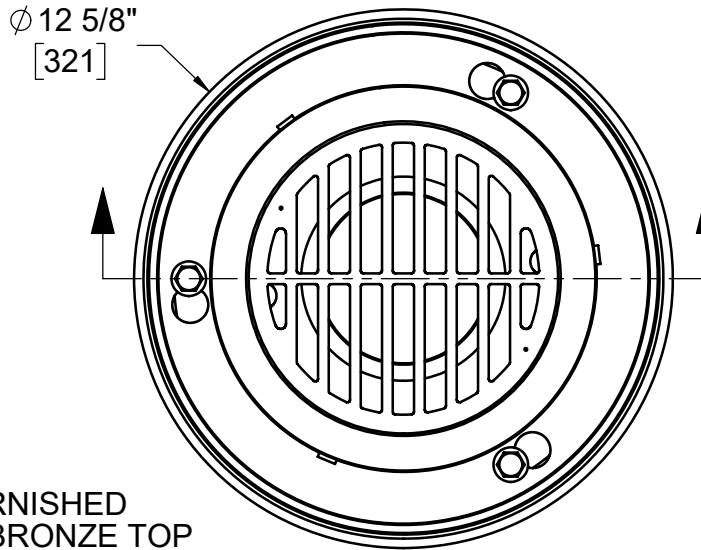
JOSAM 32100-AE-TG SERIES COATED CAST IRON LEVELEZE® FLOOR DRAIN, TWO-PIECE BODY WITH DOUBLE DRAINAGE FLANGE, WEEPHOLES, WEJLOC® NON-PUNCTURING FLASHING COLLAR, BOTTOM OUTLET, ROUND TOP, ADJUSTABLE COLLAR WITH ROLLED THREAD AND HEAVY-DUTY, DEEP-SET TRACTOR GRATE.

FLOOR DRAIN
9" ROUND TOP, TRACTOR GRATE

SERIES **32100-AE-TG**

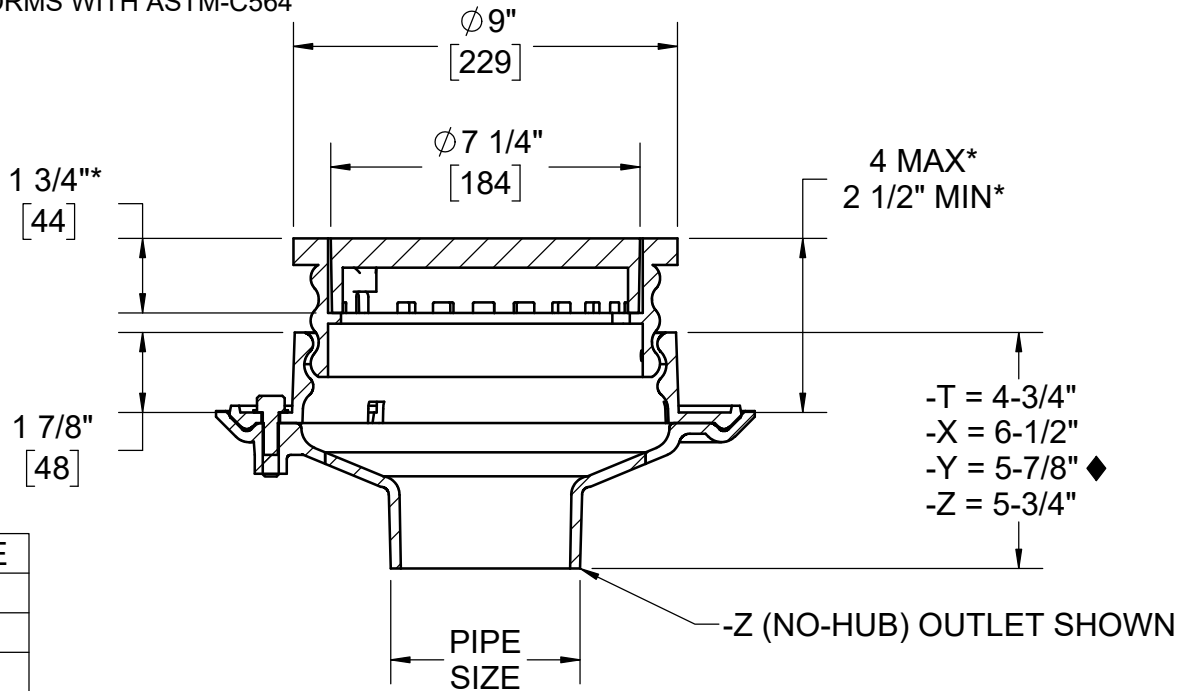
SLOT WIDTH - 1/2"
(-1 & -2 SLOT WIDTH 7/16")
FREE AREA - 14.5 IN²

FORMERLY 31600 SERIES



*ADD 1/4" WHEN FURNISHED WITH NIKALOY OR BRONZE TOP

◆ GASKET CONFORMS WITH ASTM-C564



PIPE SIZE	
	2"
	3"
	4"

X	-AE	LEVELEZE® ADJUSTABLE EXTENSION	-49	3/4" PRIMER TAP
X	-TG	TRACTOR GRATE	-50	1/2" PRIMER TAP
	-1	SATIN FINISH NIKALOY TOP	-88	SUPPLEMENTARY STRAINER
	-2	SATIN FINISH BRONZE TOP	-92	GALVANIZED CAST IRON PARTS
	-7	DUCTILE IRON GRATE	-66	NO-HUB SIDE OUTLET
	-15	CHAINED GRATE	-T	THREADED OUTLET
	-VP	SECURED GRATE, VANDAL-PROOF SCREWS	-X	INSIDE CAULK OUTLET
	-ARE	ACID-RESISTING EPOXY	-Y	HUB OUTLET WITH GASKET
			-Z	NO-HUB OUTLET

DATE OF LAST CHANGE: 07/24/18

DIMENSIONS ARE SUBJECT TO MANUFACTURERS TOLERANCES AND CHANGE WITHOUT NOTICE. WE CAN ASSUME NO RESPONSIBILITY FOR USE OF SUPERSEDED OR VOID DATA.

JOSAM

MICHIGAN CITY, INDIANA

NOTES