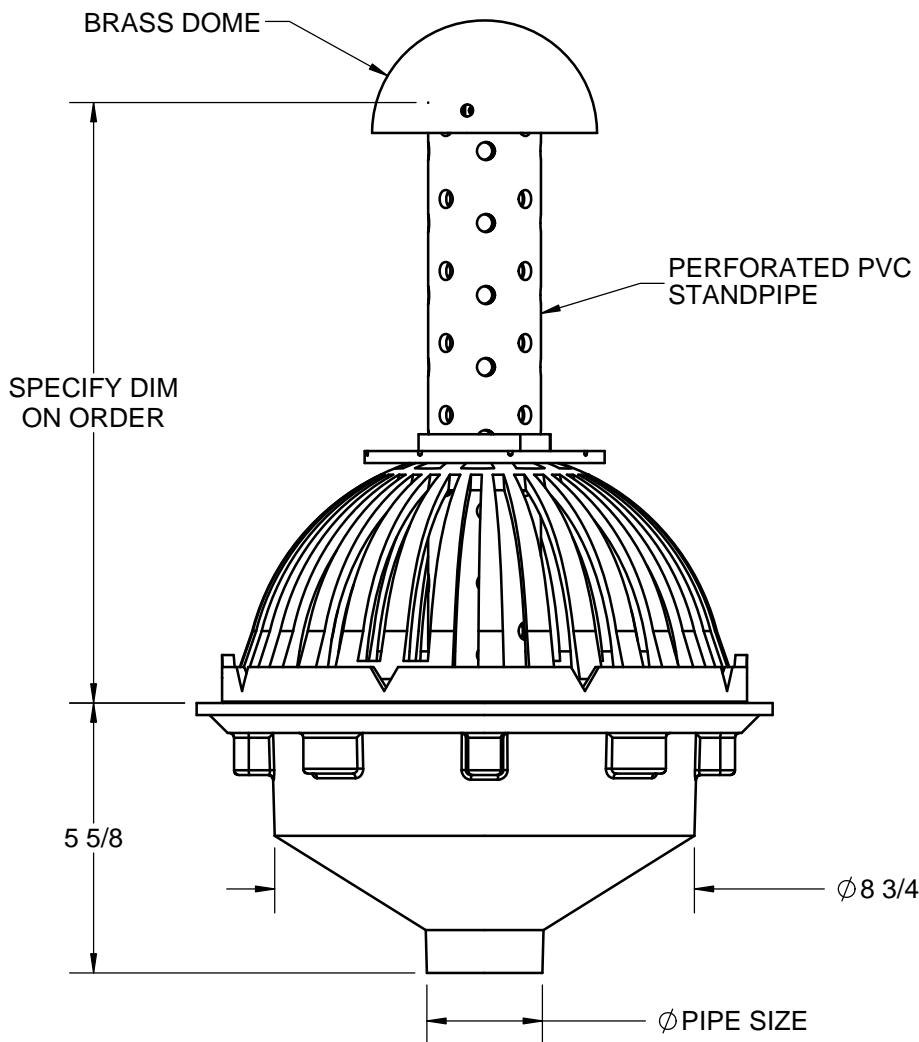
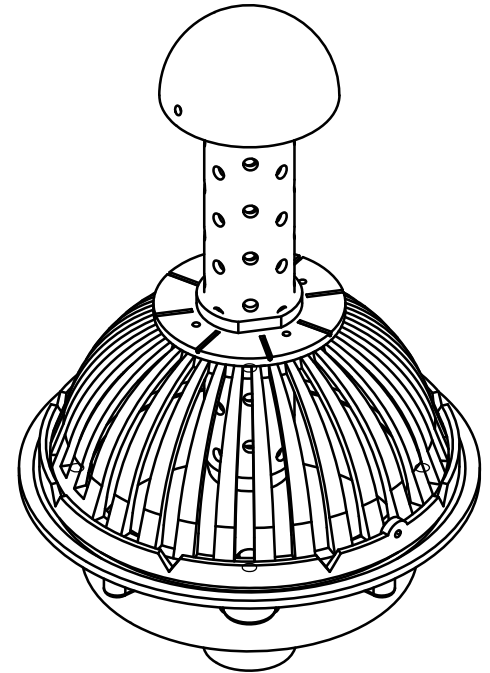
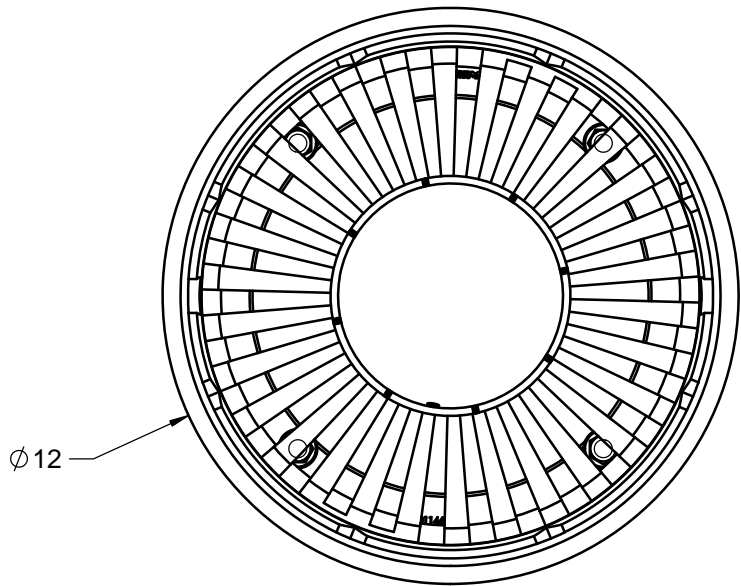


SPECIFICATION:

JOSAM 22010-Q92 SERIES CAST IRON MEDIUM-SUMP OVERFLOW DRAIN WITH BOTTOM OUTLET CONNECTION, WEJLOC NON-PUNCTURING FLASHING CLAMP WITH INTEGRAL GRAVEL STOP, STAINLESS STEEL MESH COVERED PERFORATED PVC STANDPIPE, STAINLESS STEEL MESH ON DOME, AND BRASS DOME.

**PLANTING AREA DRAIN
SPECIAL**

SERIES **22010-Q92**



DATE OF LAST CHANGE: 9/01/16

DIMENSIONS ARE SUBJECT TO MANUFACTURERS TOLERANCES AND CHANGE WITHOUT NOTICE. WE CAN ASSUME NO RESPONSIBILITY FOR USE OF SUPERSEDED OR VOID DATA.

JOSAM COMPANY
MICHIGAN CITY, INDIANA

NOTES