

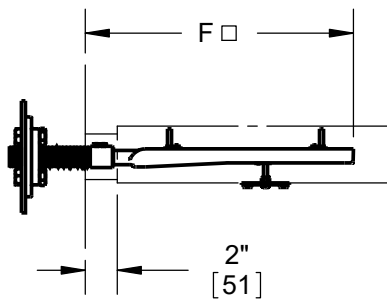
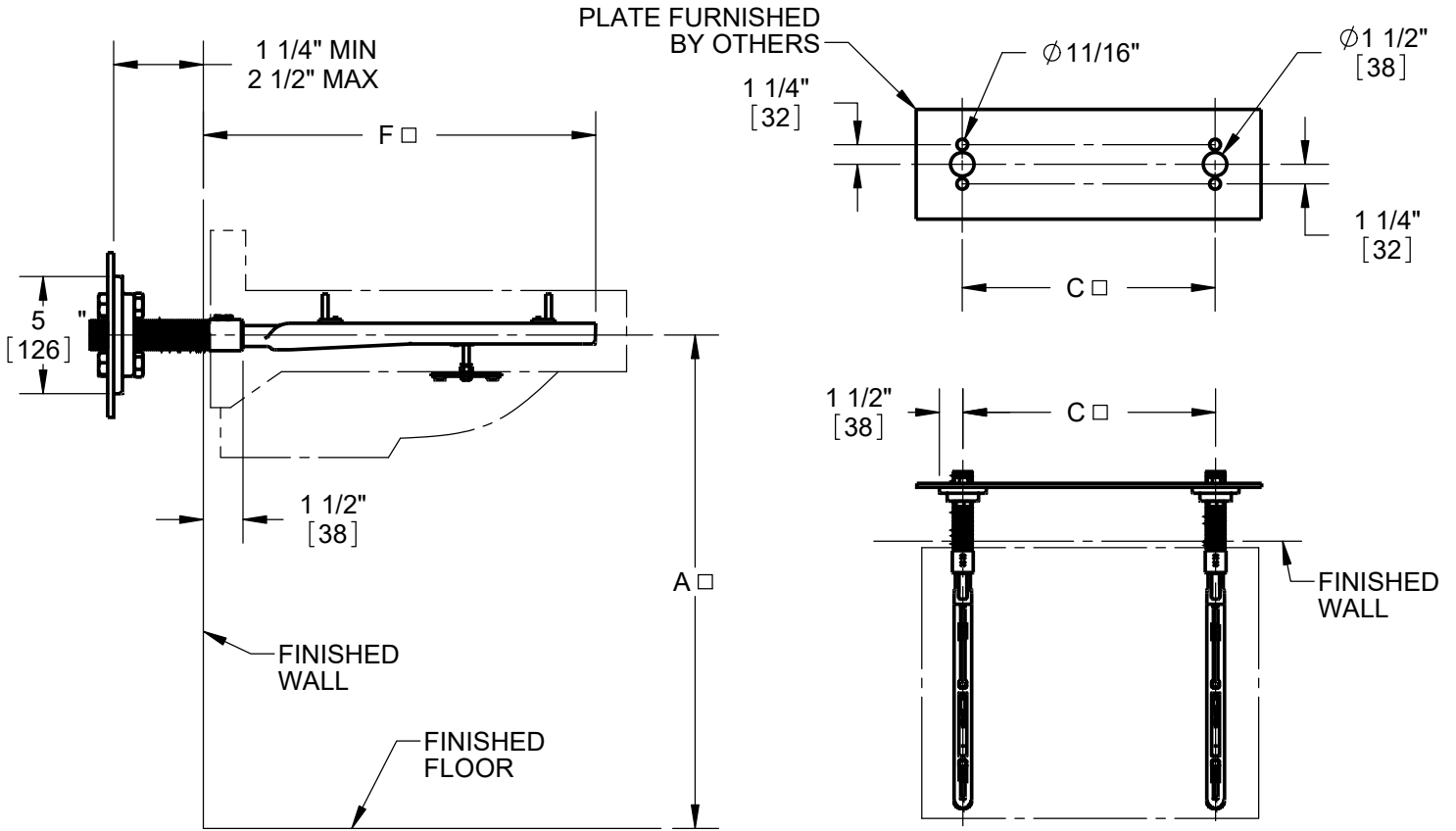
**SPECIFICATION:**

JOSAM 17120-MMB SERIES WALL-MOUNTED, SINGLE LAVATORY CARRIER WITH CONCEALED ARMS, LEVELING AND SECURING SCREWS, AND MOVABLE MOUNTING BRACKETS FOR SECURING TO WALL PLATE BY OTHERS.

**LAVATORY CARRIER**

**WALL-MOUNT  
CONCEALED ARM**

SERIES **17120-MMB**



-75 OPTION  
CHROME PLATED  
ESCUTCHEON

□ DENOTES VARIABLE DIMENSION  
DEPENDS ON FIXTURE  
STANDARD ADJUSTABLE SLEEVE IS 6 1/2"

X	-MMB	WITH MOVABLE MOUNTING BRACKETS
	-10	EXTENSION SLEEVES LONGER THAN STANDARD (SPECIFY WALL THICKNESS)
	-75	2" CHROME PLATED ESCUTCHEONS
	-76	4" CHROME PLATED ESCUTCHEONS
	-77	6" CHROME PLATED ESCUTCHEONS

MANUFACTURER \_\_\_\_\_

NUMBER \_\_\_\_\_

SIZE \_\_\_\_\_

NAME \_\_\_\_\_

DIMENSIONS

A \_\_\_\_\_

C \_\_\_\_\_

F \_\_\_\_\_

RIM HEIGHT \_\_\_\_\_

BASED ON "A" DIM. SHOWN

WARNING: Cancer and Reproductive Harm - www.P65Warnings.ca.gov

DATE OF LAST CHANGE: 05/25/18

DIMENSIONS ARE SUBJECT TO MANUFACTURERS TOLERANCES AND CHANGE WITHOUT NOTICE. WE CAN ASSUME NO RESPONSIBILITY FOR USE OF SUPERSEDED OR VOID DATA.



MICHIGAN CITY, INDIANA

NOTES