

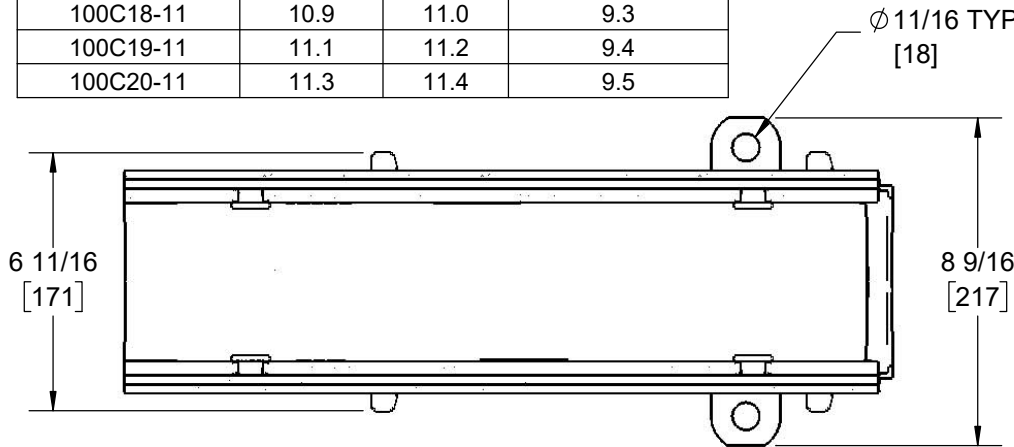
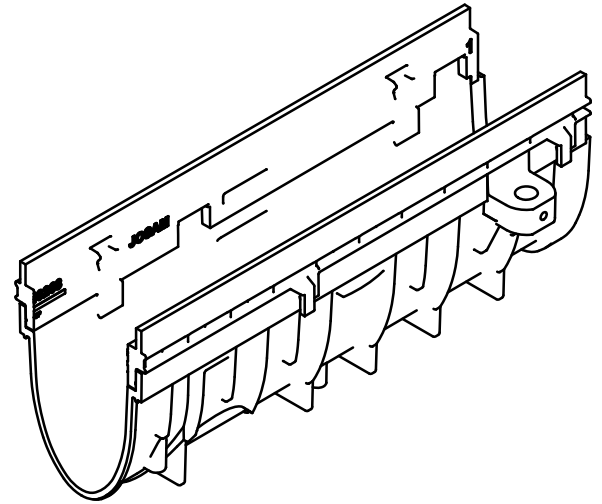
SPECIFICATION:

JOSAM 100CXX-11 SERIES CHANNELS SHALL BE 19.6" (499) LONG WITH 4" (102) INTERNAL WIDTH AND RADIUSED BOTTOM. INTERCONNECTING CHANNEL SECTIONS SHALL BE MADE OF SMC/GRP (SHEET MOLDING COMPOUND/GLASS REINFORCED POLYESTER) MATERIAL AND AVAILABLE WITH AND WITHOUT SLOPE. CHANNEL SUPPORT BRACKETS CAPABLE OF ACCEPTING RE-BAR, END OUTLETS, BOTTOM OUTLETS, ENDCAPS, AND CORNER/T CONNECTORS SHALL BE AVAILABLE. GRATE OPTIONS FOR LOADING CLASSES A-E WITH PRESSURE OR LOCKING BOLT SECURING DEVICES AND DUCTILE IRON RAIL TO PROTECT CHANNEL EDGES SHALL BE AVAILABLE.

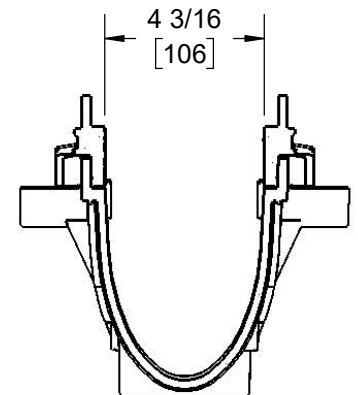
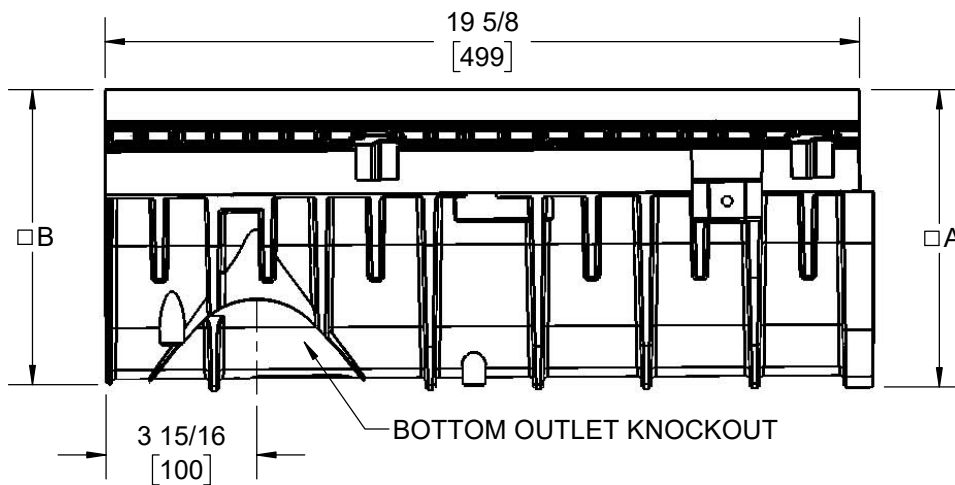
**PRO-PLUS
4" INTERNAL WIDTH**

SERIES 100CXX-11

PART NUMBER	DIM "A"	DIM "B"	WEIGHT (LBS)
100C-11	6.5	6.5	4.6
100C01-11	7.5	7.6	6.2
100C02-11	7.7	7.8	6.3
100C03-11	7.9	8.0	6.4
100C04-11	8.1	8.2	6.5
100C05-11	8.3	8.4	6.5
100C05N-11	8.5	8.5	6.6
100C06-11	8.5	8.6	6.7
100C07-11	8.7	8.8	6.8
100C08-11	8.9	9.0	6.9
100C09-11	9.1	9.2	7.0
100C10-11	9.3	9.4	7.1
100C11-11	9.5	9.6	8.6
100C12-11	9.7	9.8	8.7
100C13-11	9.9	10.0	8.8
100C14-11	10.1	10.2	8.9
100C15-11	10.3	10.4	9.0
100C15N-11	10.5	10.5	9.1
100C16-11	10.5	10.6	9.1
100C17-11	10.7	10.8	9.2
100C18-11	10.9	11.0	9.3
100C19-11	11.1	11.2	9.4
100C20-11	11.3	11.4	9.5



□ NOTE:
ADD 1.2" WHEN
FURNISHED WITH
DI FRAME 152431



U.S. Patent No. 7,736,092

WARNING: Cancer and Reproductive Harm - www.P65Warnings.ca.gov

DATE OF LAST CHANGE: 8/29/19

DIMENSIONS ARE SUBJECT TO MANUFACTURERS TOLERANCES AND CHANGE WITHOUT NOTICE. WE CAN ASSUME NO RESPONSIBILITY FOR USE OF SUPERSEDED OR VOID DATA.

JOSAM
MICHIGAN CITY, INDIANA

NOTES