

SPECIFICATION:

JOSAM 60500B-EST-EXT STEEL OIL SEPARATOR, FLUSH-WITH-FLOOR TYPE WITH OIL STORAGE TANK, THREADED CONNECTIONS, FLAT-BOTTOM, INTERNAL TRAP, SEDIMENT BUCKET, GASKETED COVER, ACID RESISTANT COATED (INSIDE & OUT), CHECK VALVE AND FLOW CONTROL FITTING.

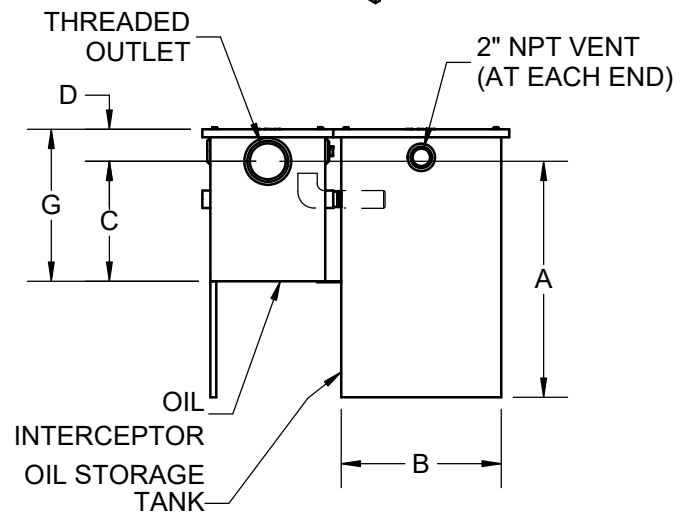
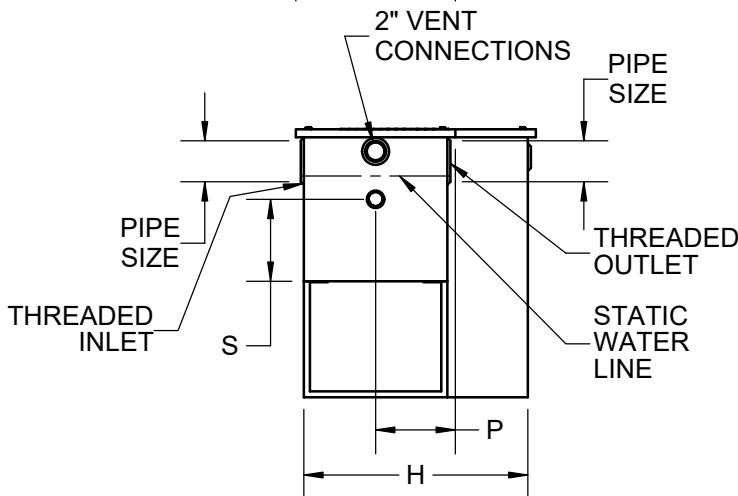
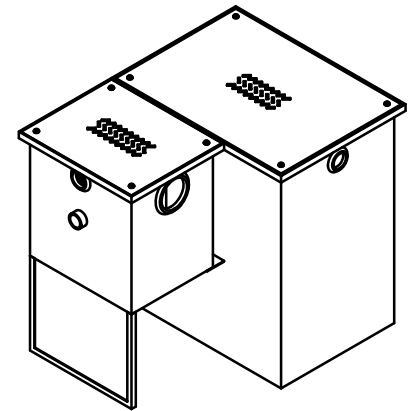
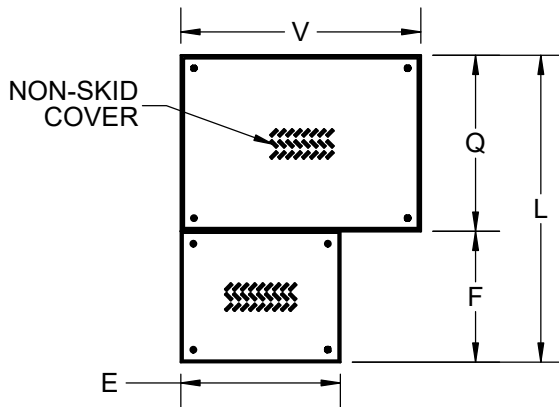
**OIL SEPARATOR
WITH EXTERNAL
STORAGE TANK**

SERIES 60500B-EST-EXT

PRODUCT IS NON-CANCELABLE AND NON-RETURNABLE

NAME: _____ SIGNATURE: _____ DATE: _____

FORMERLY 60500A-Q508



	-HD	HEAVY-DUTY COVER
	-19	RECLAIM TANK ALARM
	-60	ANCHOR FLANGE
	-61	ANCHOR FLANGE AND CLAMP DEVICE
X	-EXT	EXTENSION (SPECIFY "D" DIMENSION)

FOR CUSTOM EXTENSION HEIGHT:
SPECIFY "D" DIMENSION= _____ IN.
NEW "G" DIMENSION= _____ IN.
("C" + "D")

	TYPE	FLOW RATE	TANK (GAL.)	PIPE SIZE	A	B	C	E	F	H	L	P	Q	S	V
	60503B-EST-5	10	5	2	9-1/4	20	10-1/2	15-1/2	12-3/8	17-3/8	34-3/8	7-3/4	22	6-3/4	19-3/8
	60503B-EST-50	10	50	2	29-3/8	20	10-1/2	15-1/2	12-3/8	28	34-3/8	7-3/4	22	6-3/4	30
	60504B-EST-6	15	6	2	12-3/4	20	12-3/4	18-1/4	14-1/2	20-1/8	36-1/2	9-1/8	22	9	22-1/8
	60504B-EST-50	15	50	2	30-1/8	20	12-3/4	18-1/4	14-1/2	28	36-1/2	9-1/8	22	9	30
	60505B-EST-8	20	8	3*	13	20	14-5/8	20	16-3/8	22-3/4	38-3/8	10	22	10-1/4	24-3/4
	60505B-EST-50	20	50	3*	29-1/8	20	14-5/8	20	16-3/8	28	38-3/8	10	22	10-1/4	30
	60506B-EST-50	25	50	3*	29-1/2	20	16	21-3/4	17-1/2	28	39-1/2	10-7/8	22	11-3/4	30
	60506B-EST-100	25	100	3*	34	24	16	21-3/4	17-1/2	36	43-1/2	10-7/8	26	11-3/4	38
	60507B-EST-50	35	50	3*	28-5/8	20	16-3/4	25-1/4	19-1/4	28	41-1/4	12-5/8	22	12-1/2	30
	60507B-EST-100	35	100	3*	33-1/8	24	16-3/4	25-1/4	19-1/4	36	45-1/4	12-5/8	26	12-1/2	38
	60508B-EST-50	50	50	3*	27-1/4	20	18-1/2	28-3/4	21-1/2	28	43-1/2	14-3/8	22	14-1/4	30
	60508B-EST-100	50	100	3*	31-3/4	24	18-1/2	28-3/4	21-1/2	36	47-1/2	14-3/8	26	14-1/4	38

*3" PIPE SIZE NORMALLY FURNISHED WITH 4" x 3" REDUCING BUSHING

WARNING: Cancer and Reproductive Harm - www.P65Warnings.ca.gov

DATE OF LAST CHANGE: 04/29/21

DIMENSIONS ARE SUBJECT TO MANUFACTURERS TOLERANCES AND CHANGE WITHOUT NOTICE. WE CAN ASSUME NO RESPONSIBILITY FOR USE OF SUPERSEDED OR VOID DATA.



MICHIGAN CITY, INDIANA

NOTES