

**SPECIFICATION:**

JOSAM PRE-FAB BASE OPTION FOR 49300 SERIES FLOOR SINKS.

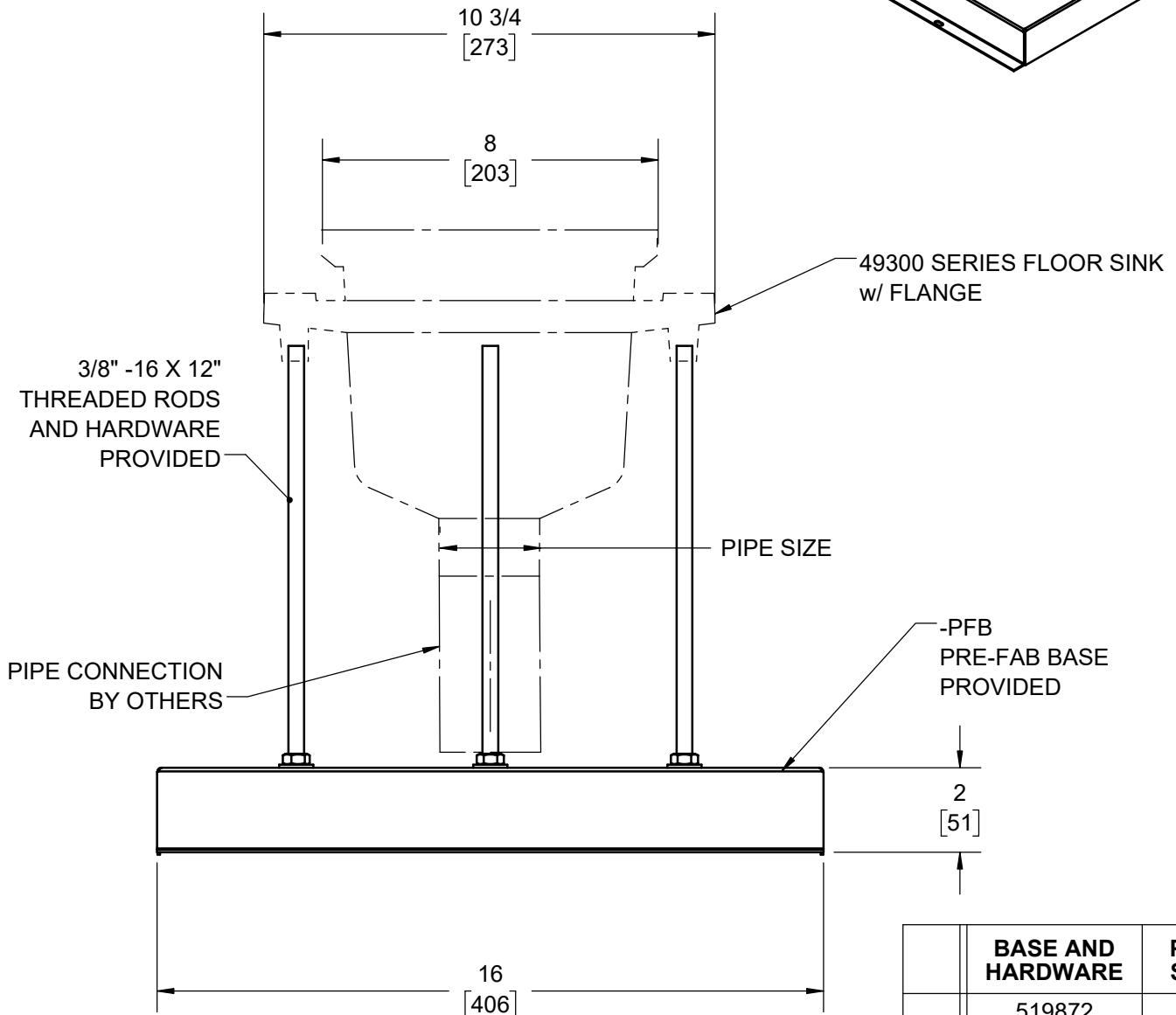
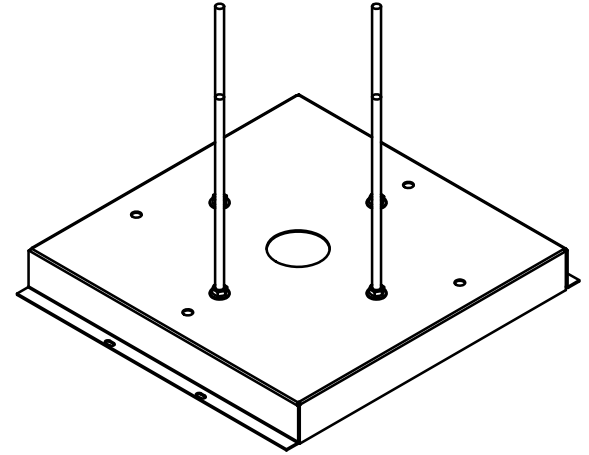
-PFB OPTION MUST BE ORDERED AT TIME OF SINK ORDER FOR PROPER SINK BODY MODIFICATION.

**FLOOR SINK  
PRE-FAB BASE**

SERIES /  
PART NO.

**49300-PFB**

NOTE: FLOOR SINK MUST HAVE FLANGE



WARNING: Cancer and Reproductive Harm - www.P65Warnings.ca.gov

DATE OF LAST CHANGE: 4/16/2025 | BLK

DIMENSIONS ARE SUBJECT TO MANUFACTURERS TOLERANCES AND CHANGE WITHOUT NOTICE. WE CAN ASSUME NO RESPONSIBILITY FOR USE OF SUPERSEDED OR VOID DATA.

**JOSAM**

MICHIGAN CITY, INDIANA

NOTES