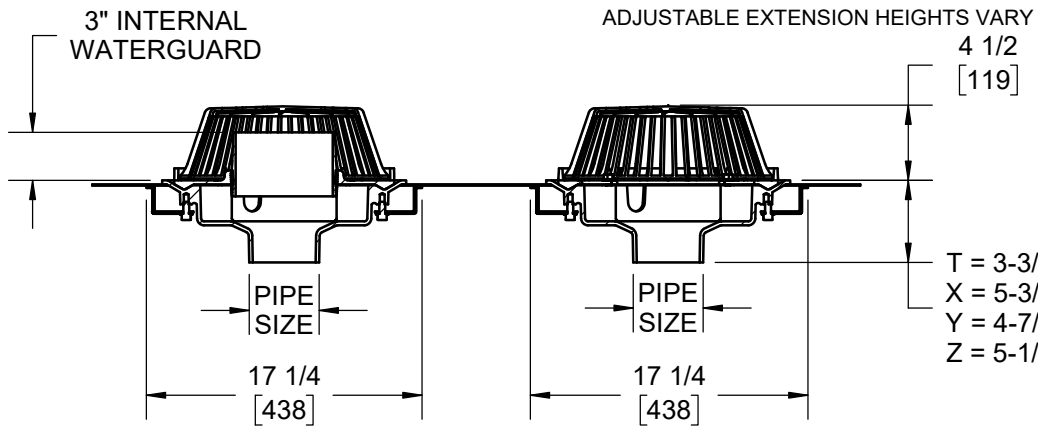
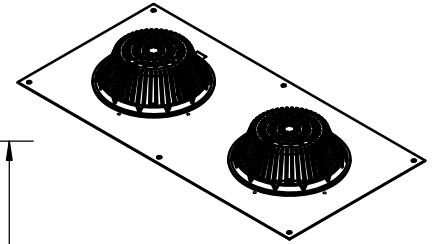
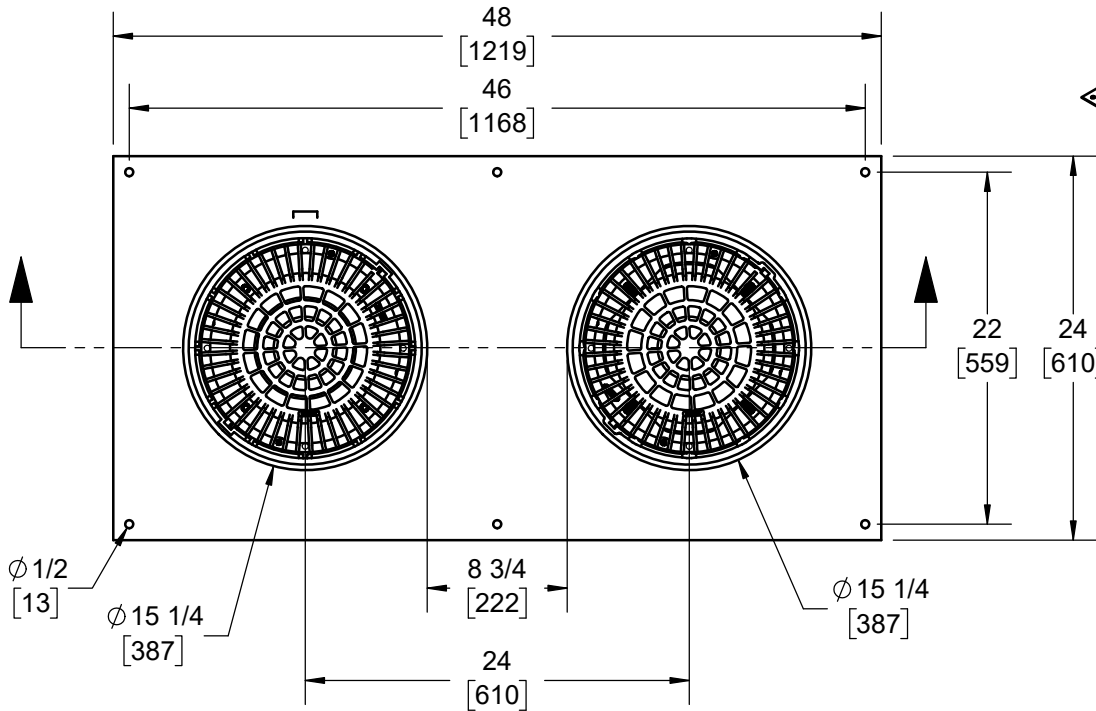


SPECIFICATION:

JOSAM 22500 SERIES COATED CAST IRON 15" DIAMETER COMBINATION ROOF DRAIN AND OVERFLOW DRAIN, ONE (1) WEJLOC NON-PUNCTURING CLAMP RING WITH INTEGRAL GRAVEL STOP, ONE (1) WEJLOC NON-PUNCTURING CLAMP RING WITH INTERNAL WATER GUARD, DOUBLE DRAIN RECEIVER AND CLIPS, AND TWO (2) LARGE POLYPROPYLENE LOCKING DOMES.

**ROOF DRAIN
COMBINATION DRAIN/OVERFLOW**

SERIES **22500**



DRAIN OVERFLOW

PIPE SIZE	PIPE SIZE
2"	2"
3"	3"
4"	4"
5"	5"
6"	6"
8"	8"
10"*	10"*

* 10" AVAILABLE IN NO-HUB ONLY.

-AE	THREADED LEVELEZE® ADJ. EXT.
-OR	O-RING ADJUSTABLE EXTENSION
-AER	ADJUSTABLE EXTENSION WITH RODS
-10	FIXED EXT. COLLARS, CAST IRON (SPECIFY HT.**)
-19	CLAMP COLLAR WITH PERF. SS GRAVEL GUARD
-20	GALVANIZED CAST IRON PARTS
-21	GALVANIZED CAST IRON DOMES ONLY
-22	CAST IRON DOMES
-23	ROUGH BRONZE DOMES
-26	ALUMINUM DOMES
-33	STAINLESS STEEL MESH-COVERED DOMES

-RCSD	RECESSED DRAIN RECEIVER
-1	DECK CLAMP ASSEMBLY
-4	SECONDARY FLASHING CLAMP (USE WITH -AE ONLY)
-SC	SOLID TOP COVER ON OVERFLOW DOME (-22 ONLY)
-VP	VANDAL-PROOF DOMES
-IRMA	PERFORATED STAINLESS STEEL EXTENSIONS
-T	THREADED OUTLET
-X	INSIDE CAULK OUTLET
-Y	HUB OUTLET WITH GASKET (2", 3" & 4" SIZES ONLY)
-Z	NO-HUB SPIGOT OUTLET

** -10 EXTENSIONS 4" STANDARD

DATE OF LAST CHANGE: 12/08/23

DIMENSIONS ARE SUBJECT TO MANUFACTURERS TOLERANCES AND CHANGE WITHOUT NOTICE. WE CAN ASSUME NO RESPONSIBILITY FOR USE OF SUPERSEDED OR VOID DATA.

JOSAM
MICHIGAN CITY, INDIANA

NOTES

WARNING: Cancer and Reproductive Harm - www.P65Warnings.ca.gov