

SPECIFICATION:

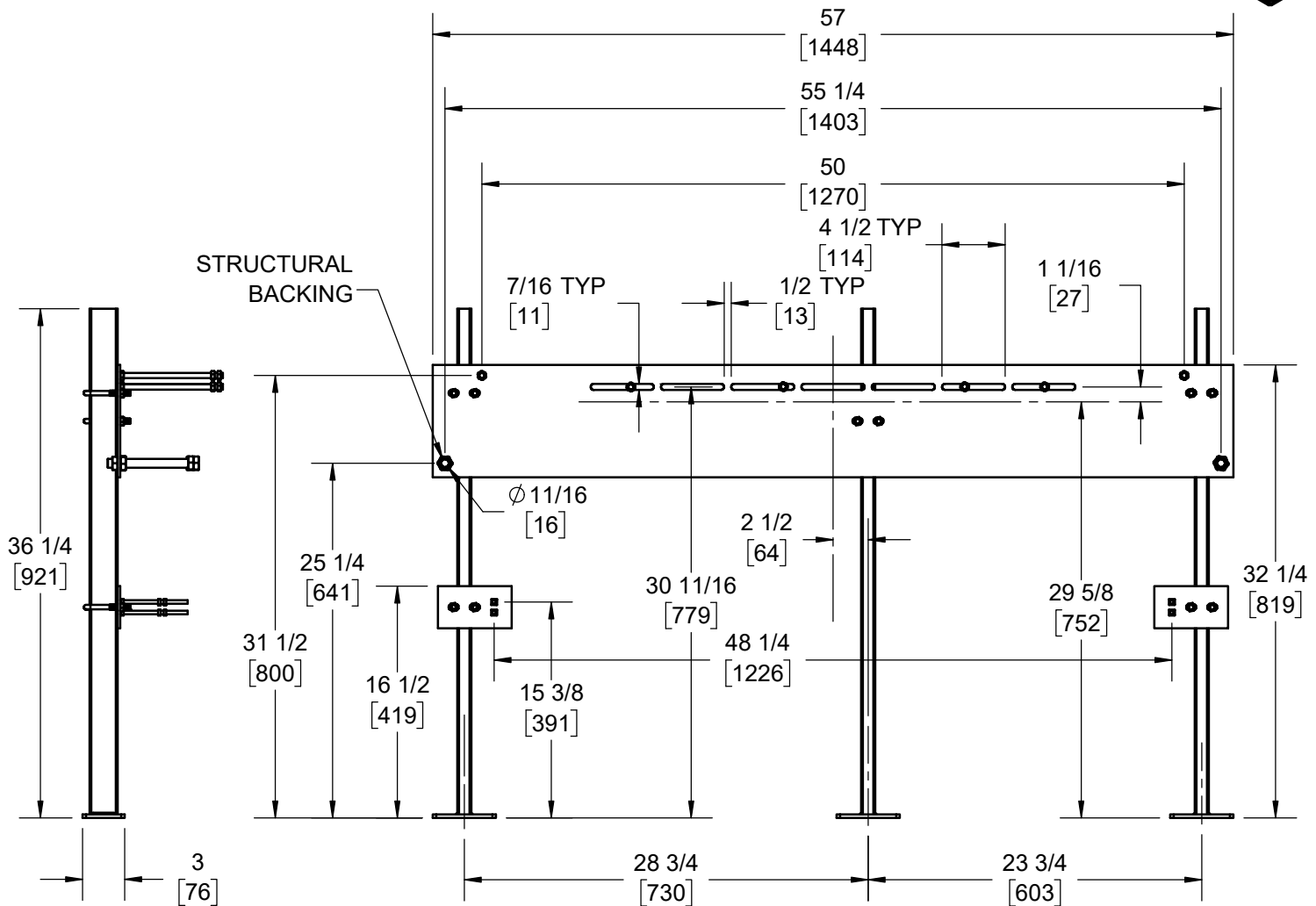
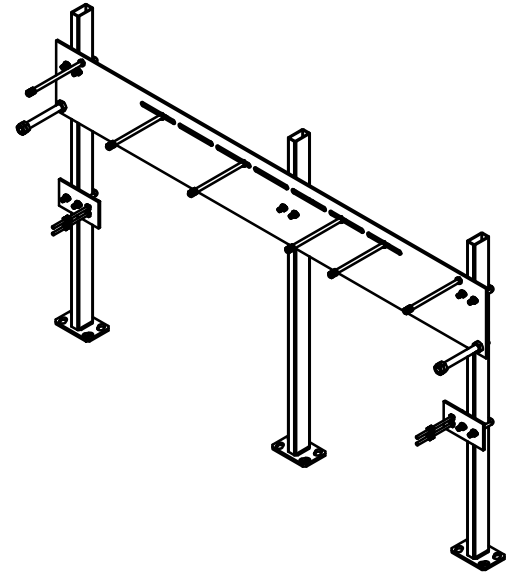
JOSAM 17560-M1787 SERIES FLOOR-MOUNTED SINK CARRIER WITH HANGER PLATES, ADJUSTABLE SUPPORTING RODS, AND STRUCTURAL UPRIGHTS. DESIGNED FOR BRADLEY LVQD2 VERGE WITH WASHBAR.

SINK CARRIER

SERIES **17560-M1787**

NOTES:

1. HARDWARE SUPPLIED MAY NOT BE SHOWN
2. FOR BRADLEY LVQD2
3. RECOMMEND FEET TO BE SECURED TO FLOOR WITH 1/2" BOLTS AND ANCHORS BY OTHERS



WARNING: Cancer and Reproductive Harm - www.P65Warnings.ca.gov

DATE OF LAST CHANGE: 2/29/24 JTJ
 DIMENSIONS ARE SUBJECT TO MANUFACTURERS TOLERANCES AND CHANGE WITHOUT NOTICE. WE CAN ASSUME NO RESPONSIBILITY FOR USE OF SUPERSEDED OR VOID DATA.



NOTES