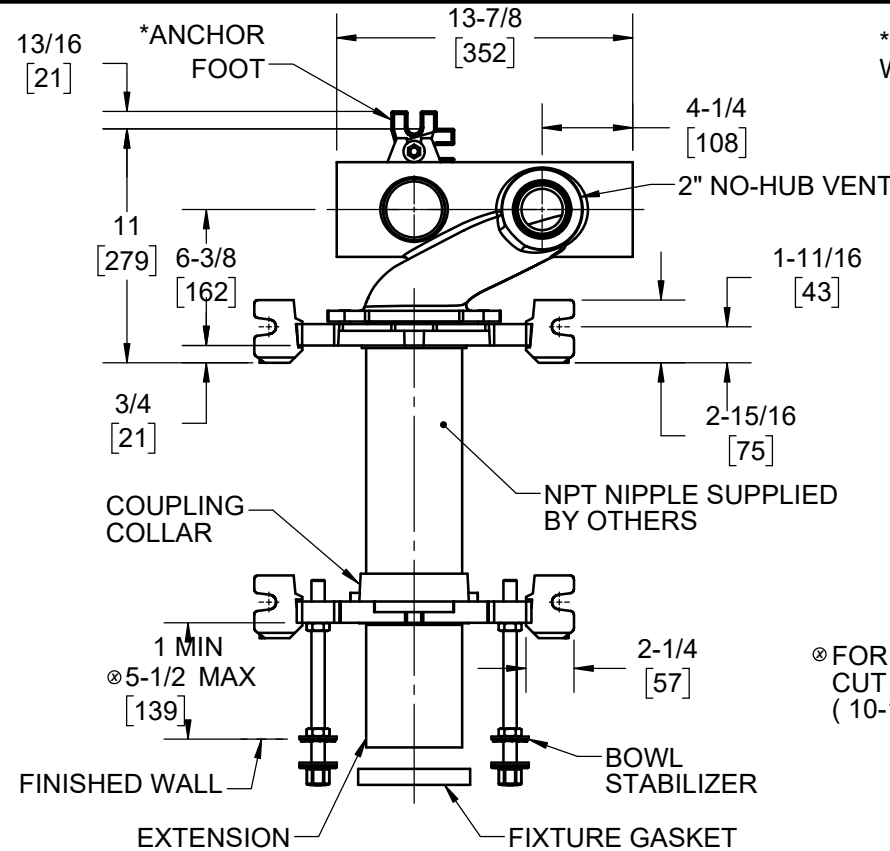


SPECIFICATION:

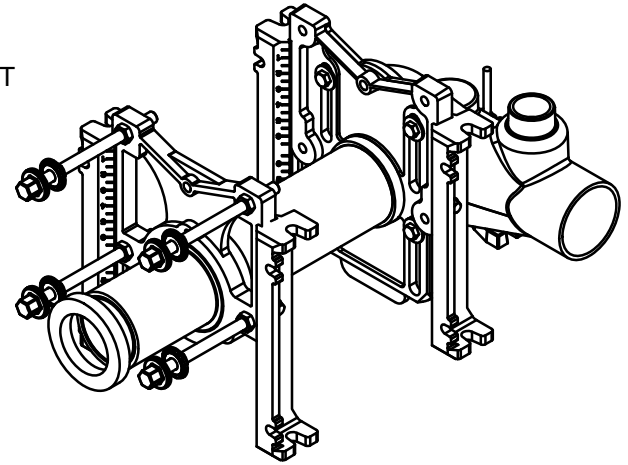
JOSAM 12674-32-35 SERIES COATED CAST IRON SINGLE HORIZONTAL 4" NO-HUB LEFT-HAND OFFSET FITTING WITH 2" NO-HUB VENT AND ADJUSTABLE CARRIER BODY FOR HDCP HEIGHT, INVERTIBLE FOR SIPHON JET OR BLOWOUT CLOSETS, WITH ABS EXTENSION WITH INTEGRAL TEST CAP, PYLON FEET, ANCHOR FOOT, PLATED HARDWARE AND NEOPRENE FIXTURE GASKET. - 500 LBS CAPACITY

**CLOSET CARRIER
LEFT HAND**

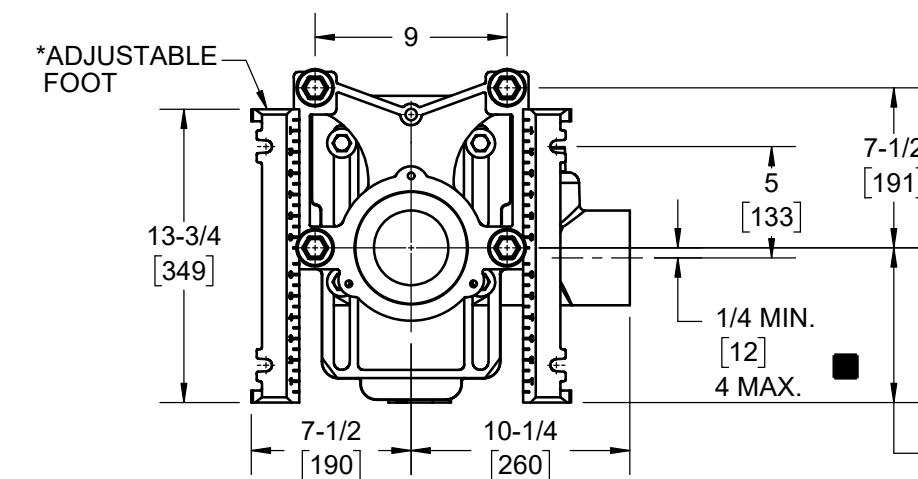
SERIES /
PART NO **12674-32-35**



* RECOMMEND FEET BE SECURED TO FLOOR WITH 1/2 FASTENERS & ANCHORS (BY OTHERS)



⊙ FOR DIMENSIONS SHORTER THAN 5-1/2" (1" MIN.) CUT EXTENSION. FOR LONGER EXTENSION LENGTH (10-1/2" MAX.) SPECIFY (-10)



SIPHON JET DIMENSIONS SHOWN. FOR BLOWOUT DIMENSIONS USE:

■ MIN. 2" & MAX. 4"

● MIN. 11" & MAX. 16-1/2"

● FOR SIPHON JET ROUGHING OVER 6" OR BLOWOUT ROUGHING OVER 12-1/2" SPECIFY ON ORDER

6-1/8 MIN. 10 MAX.

⊙ AUXILIARY INLET IS 6" OFFSET FROM VENT

X	-PF	PYLON FOOT (STANDARD)		-XSD	EXTRA SPECIAL-DUTY 1,000 lbs. CARRIER
				-6	SUPPLY PIPE SUPPORT (SPECIFY TYPE OF PIPE)
				-10	ABS EXTENSION THROUGH 10-1/2" WALL
	-AUX	⊙ AUXILIARY INLET (2" NO-HUB)		-24	FLOOR MOUNTED BACK OUTLET CHINA BOWL
	-HUB AUX	⊙ AUXILIARY INLET (2" HUB)		-30	CAST IRON ADJ. EXT. WITH CONNECTOR
	-VP	SECURED TRIM		-30-2	CAST IRON ADJ. EXT. WITH CONNECTOR & TEST CAP
	-1	POSITIONING FRAME	X	-32	CARRIER FOR WIDE CHASE INSTALLATIONS
	-58	HORIZONTAL NO-HUB CAST LONG BARREL	X	-35	CARRIER FOR WHEEL CHAIR HIGH ROUGH

DATE OF LAST CHANGE: 02/20/25 BLK

DIMENSIONS ARE SUBJECT TO MANUFACTURERS TOLERANCES AND CHANGE WITHOUT NOTICE. WE CAN ASSUME NO RESPONSIBILITY FOR USE OF SUPERSEDED OR VOID DATA.

JOSAM
MICHIGAN CITY, INDIANA

NOTES

WARNING: Cancer and Reproductive Harm - www.P65Warnings.ca.gov